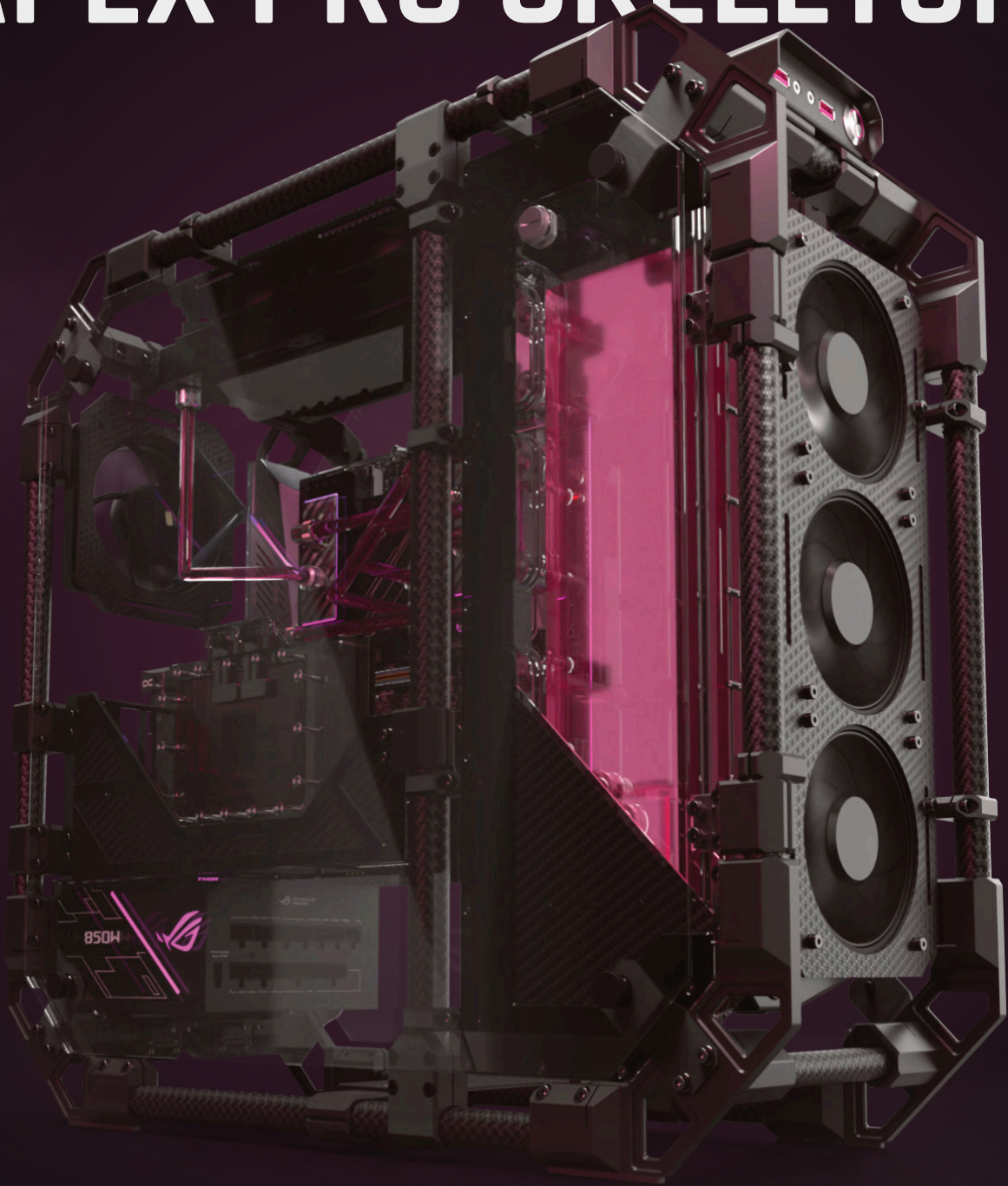


APEX

MADE OF CARBON

# APEX PRO SKELETON.



The first case made by Alphacool:

# Apex Pro Skeleton Case - Freedom for your creativity!

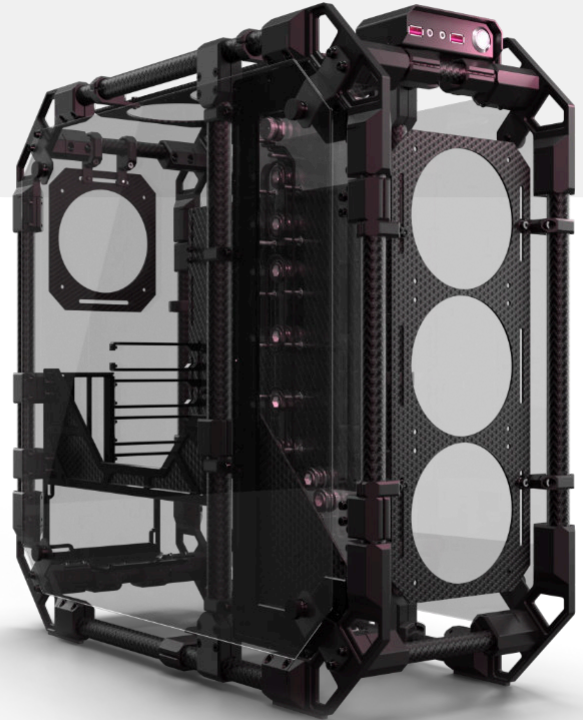
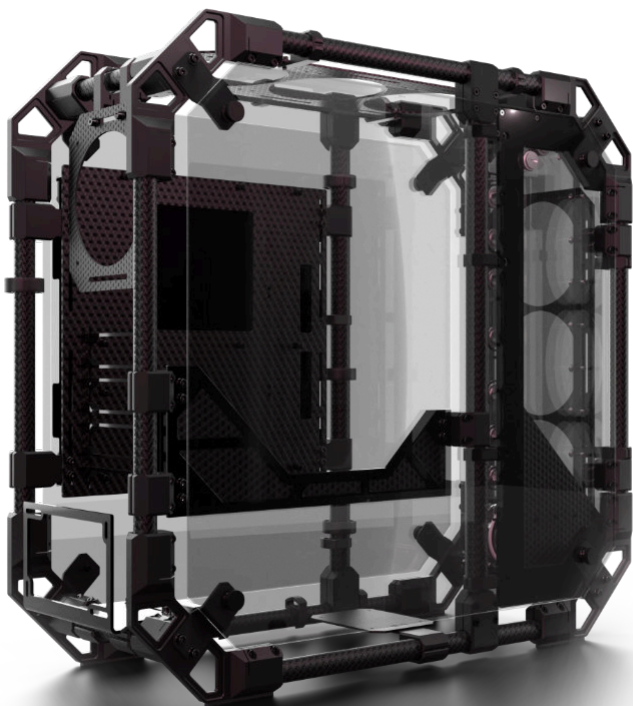
## APEX PRO SKELETON CARBON CASE

The Apex Pro Skeleton Carbon Case is a modular wonder. The case offers you the flexibility you need for your PC components including water cooling.

Made from real carbon tubes and held in place by CNC-milled corners made of aluminum, the case can be completely dismantled and adapted to your requirements. The case features the stylish and modern Apex design and also includes a distro plate specially adapted to this case. With chrome-plated brass connections and brilliant digital aRGB lighting, it fits perfectly into the ensemble. The smoked glass side panels completes the unmistakable look.

### Features - Case:

- Unlimited creativity
- Optimized for water cooling
- A sleek and modern aesthetic
- All components screwed together (not glued or welded)
- Radiator space for 2x 360mm and 1x 120mm



- Including cable box for cable management
- Freely selectable positioning of the front panel
- Vertical GPU mount
- Smoked glass side panel

### Features - Distro Plate:

- Distro Plate optimized for the Apex Skeleton Case
- Distro Plate with Chrome-plated brass connections
- Comes with VPP Apex pump
- Distro Plate with brilliant digital aRGB illumination

### Variants:

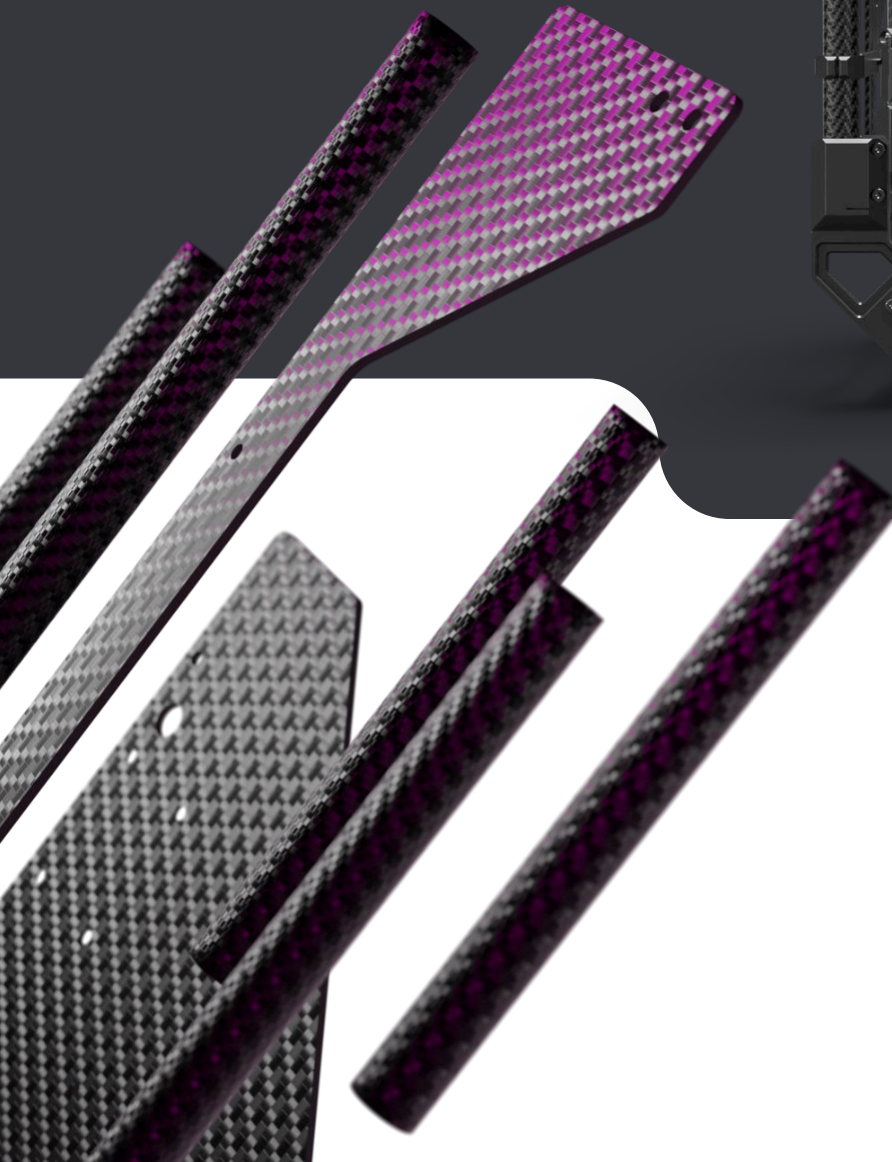
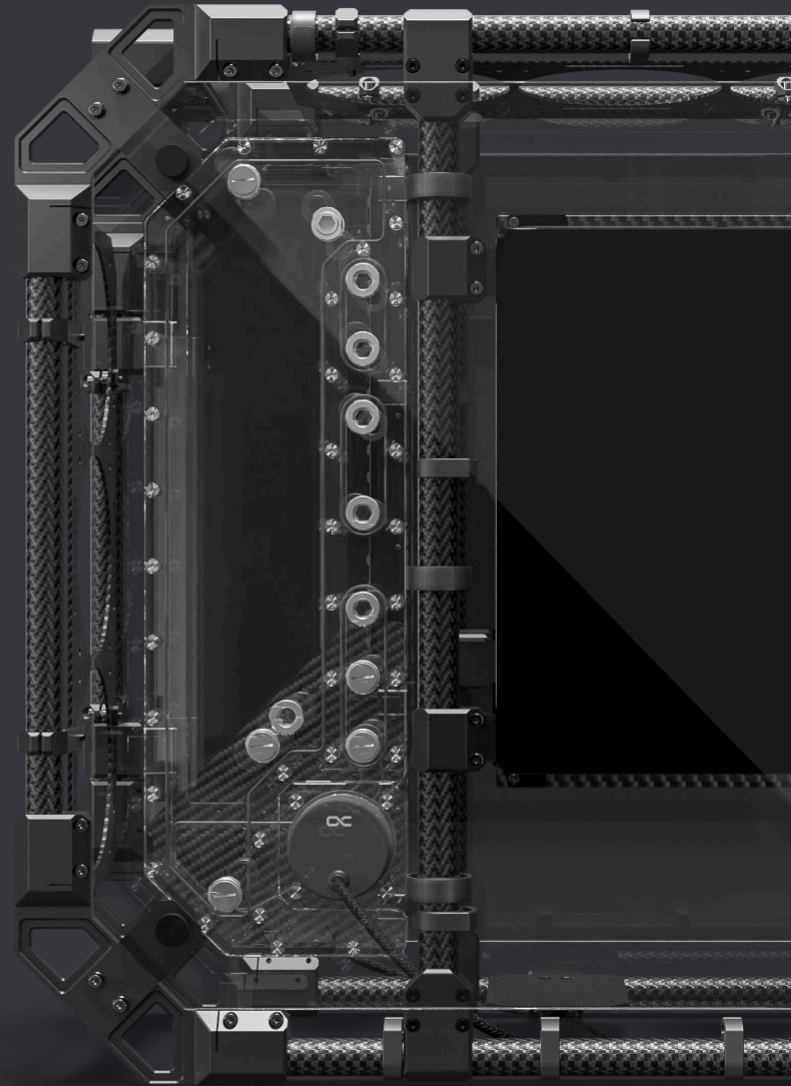
- Alphacool Apex Pro Skeleton Carbon Case
- Alphacool Apex Skeleton Case (without distro plate and vertical GPU mount)

# PRO SKELETON FEATURES

## PRO DISTRO PLATE

### Enhanced waterway Distribution.

- Unique Apex design
- Built and optimized for the Apex Skeleton Case
- Chrome-plated brass connections
- Comes with VPP Apex pump
- Brilliant digital aRGB illumination



## UNRIVALED STRENGTH

### Real Carbon Fiber.

- A sleek and modern aesthetic
- Offers unparalleled strength and durability
- Unlimited creativity, customizability

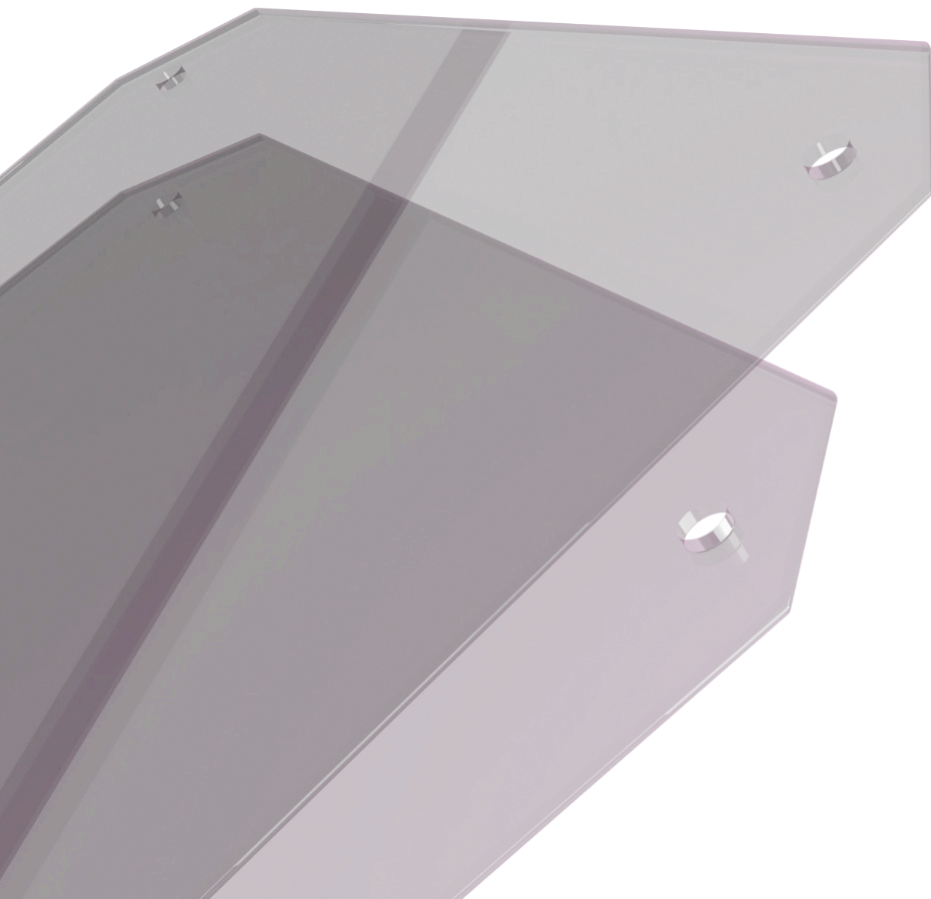
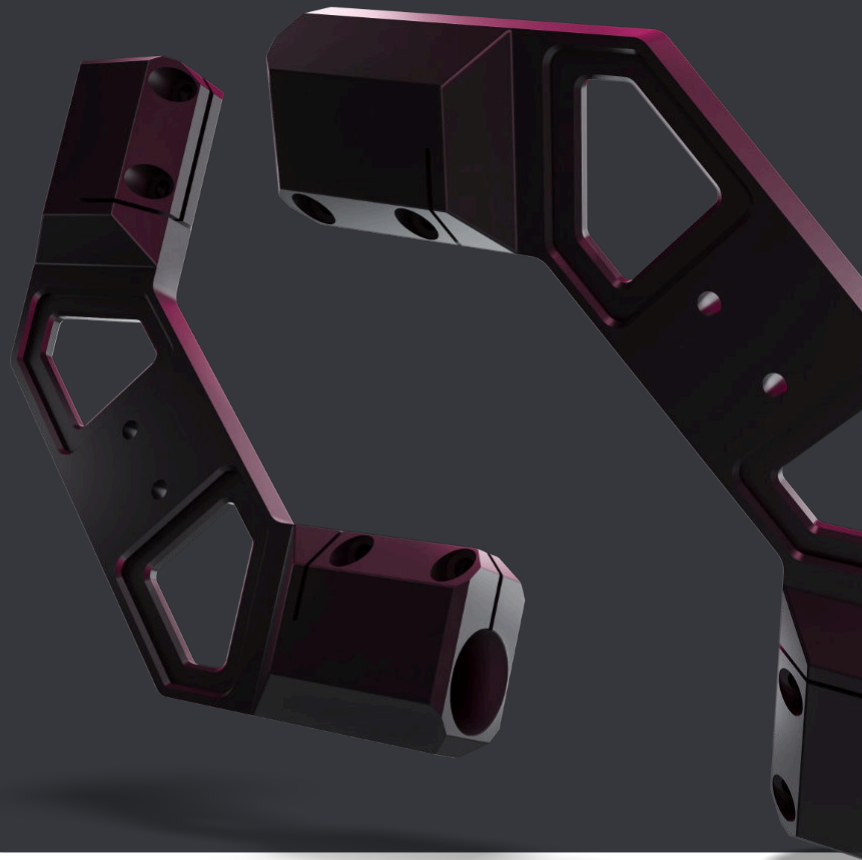


# PRO SKELETON FEATURES

## PRECISION ENGINEERING

### CNC Machined Precision Corners.

- CNC-machined aluminum connectors
- All components screwed together (not glued or welded)
- Components can be easily repositioned
- Can be completely disassembled and customized according to your own wishes



## ELEGANT TRANSPARENCY

### Smoked Glass Side Panel.

- The perfect blend of style and functionality
- High quality glass panels, slightly dark tinted



## FEATURES

# TECHNICAL DATA

## Alphacool Apex Pro Skeleton

Dimensions (L x W x H)	607,50 x 259,80 x 573,00 mm
Frame Materials	Aluminum, Carbon fiber
Side Panel Material	Smoked Glass
Radiator Front/Top Support	Up to 360 mm
Radiator Back Support	Up to 120 mm
Mainboard support	ATX, mATX, EATX, ITX
PSU Support	ATX Standard
Storage Support	Yes, 1x 2.5" SSD
Weight	13kg
Front IO	2x USB 3.0 Type A, 1x Audio Out, 1x Microphone In
Color	Black, Carbon
Vertical GPU Mount	4.0 x16 PCI Express
GPU Support	Vertical: 2 Slot   Horizontal: 2+ Slot
PCIe slots (without vertical GPU mount)	7

## Alphacool Apex Pro Skeleton Distro Plate

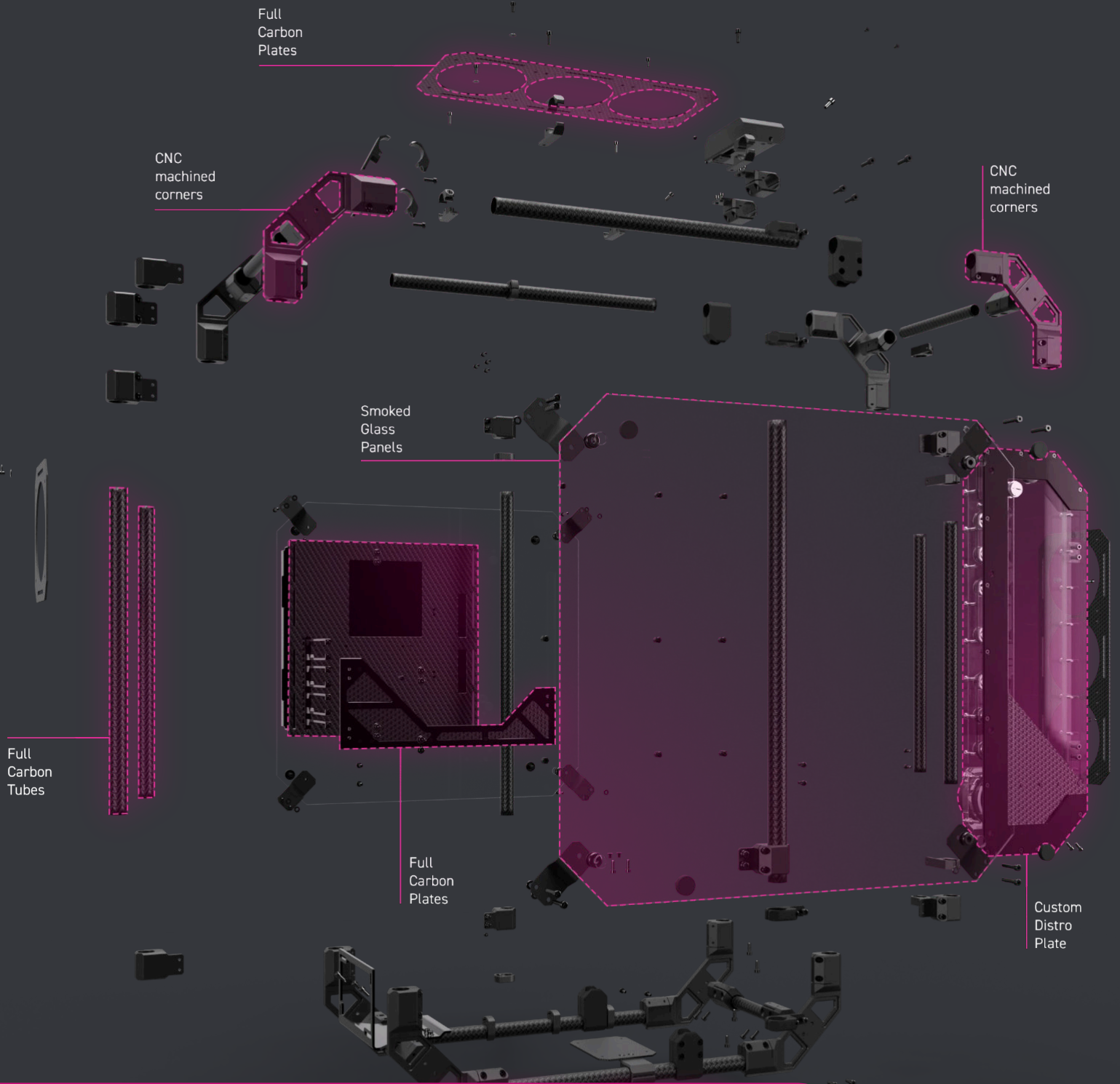
Dimensions (L x W x H)	155,00 x 63,50 x 486,00 mm
Material	Acryl
Volume	approx. 750ml
Threads	9x G1/4" + 2x Fillport und 1x Drainport
Pump compatibility	VPP / D5
Pump included	Yes, 1x Apex VPP Pumpe
Maximum working temperature	60 °C
Pressure tested	0.8 Bar
Quantity digital aRGB LEDs	15
Power digital aRGB LEDs	5V
Power connection digital aRGB LEDs	3-Pin JST + 3-Pin 5V
Color	transparent

## Alphacool Apex VPP D5 Pump

Materials	Synthetic material, aluminium, ceramics
Connections	4-Pin PWM   SATA (Cable lengths 48cm)
Rotational speed	2500 - 4500 RPM
Operating voltage	8-13V DC / 14W IP32
Starting voltage	12V DC
Maximum pumping head	4.25m
Maximum flow rate	340L/h
Maximum working temperature	60°C

# APEX PRO SKELETON CARBON CASE

## ALL PARTS ONE VIEW.



Alphacool International GmbH  
Marienberger Strasse 1 • 38122 Braunschweig • Germany  
Phone: +49 (0) 531 28874 0  
support mail: info@alphacool.com

Alphacool Apex Pro Skeleton Carbon Case  
Alphacool Apex Pro Distro Plate  
Alphacool Apex VPP Pump  
Engineered in Germany • Made in China